

Two in one – Transportation case to counter in the blink of an eye!

The newly designed Oyster case is a spacious sturdy ‘clam style’ transportation case that converts quickly into a stylish and surprisingly large counter display.

With a large wrap around table top and new integral locking nuts to secure quickly into place, complete with your optional graphic wrap on the front panel – Oyster is the perfect counter to welcome your guests.

Afterwards, store your pop-up graphics (will comfortably house a 3x5 pop-up) plus wrap, table top and shelves inside Oyster and just wheel it away!



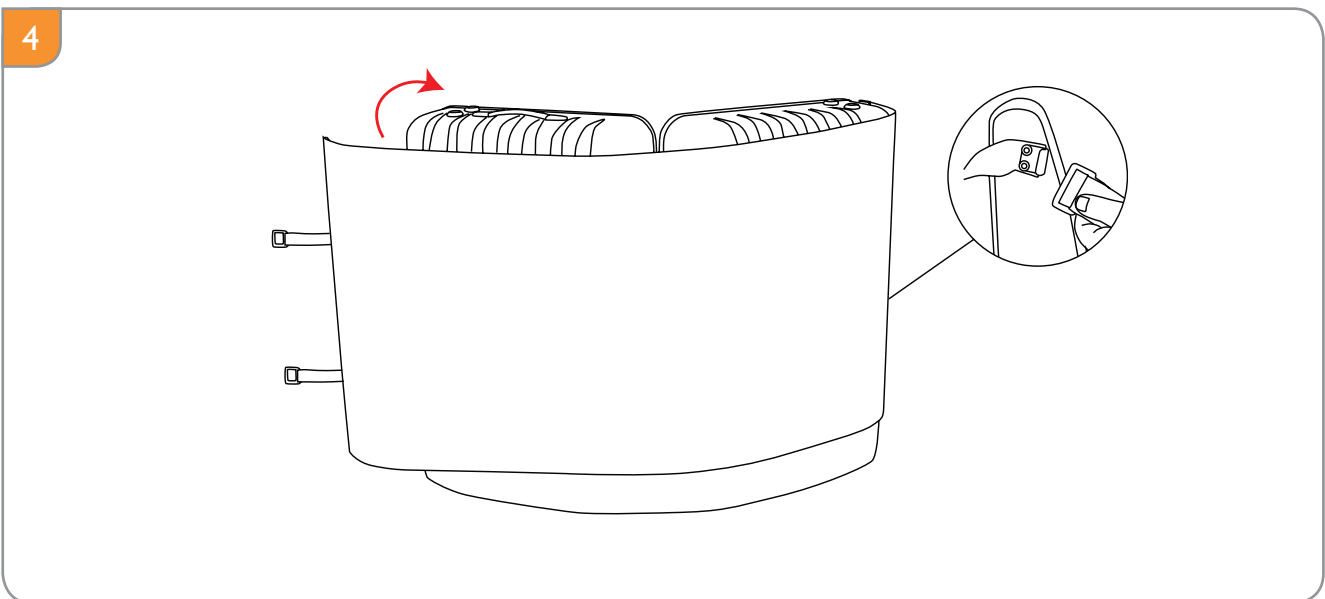
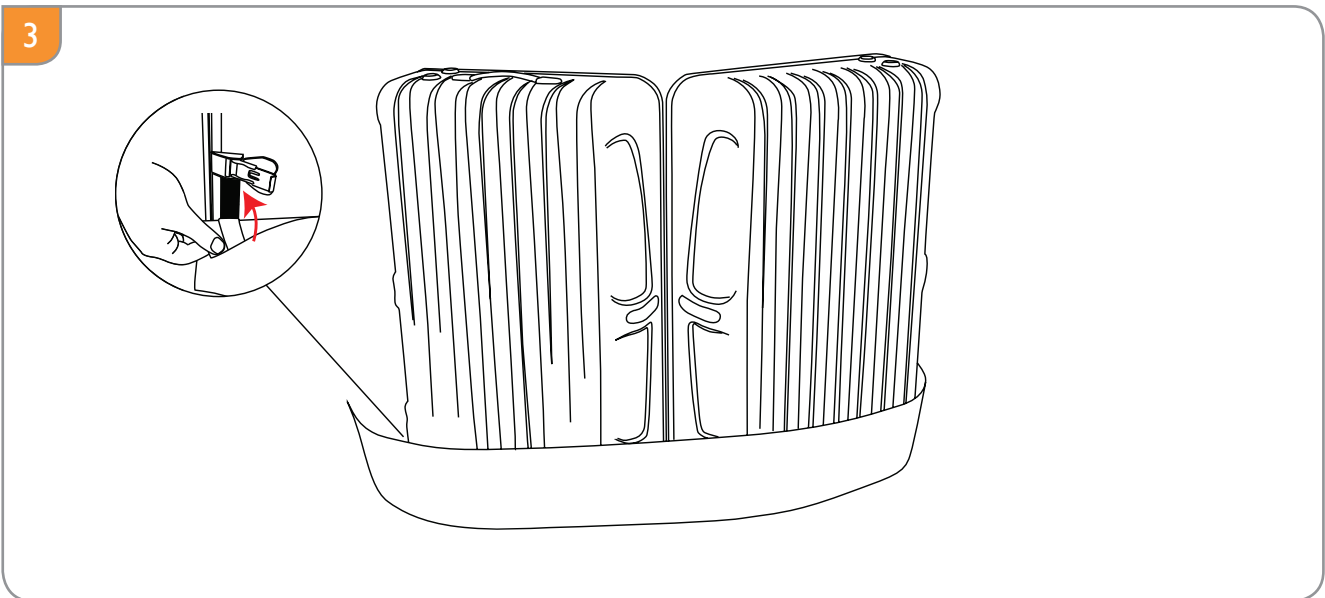
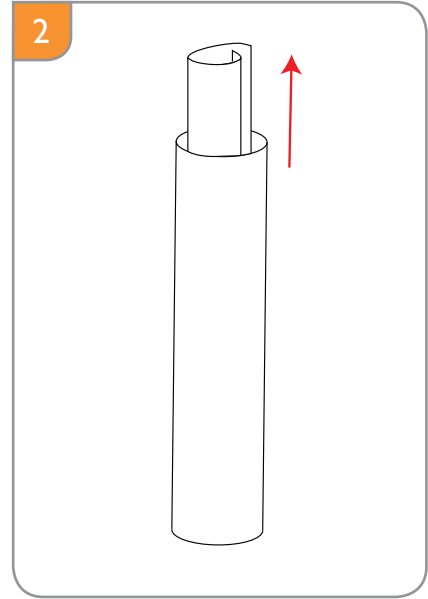
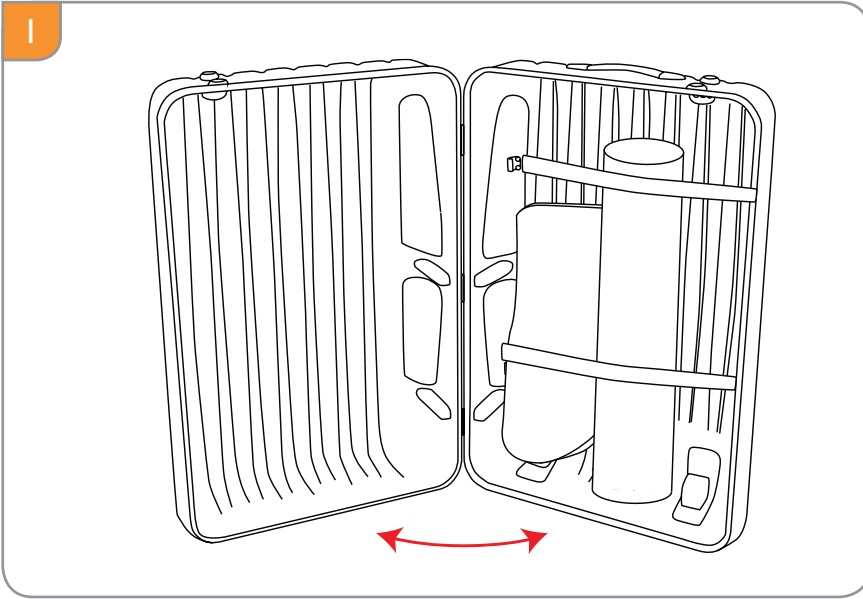
Features & Benefits

- Two shelves
- Large hinged table top with integral locking nuts to secure in place
- Optional graphic wrap to personalise your counter
- Graphic tube included



Hardware Specifications	Graphic Specifications	Additional Information
<p>Hardware Dimensions: Case open 1020(h) x 1430(w) x 595(d) Case Closed 1010(h) x 660(w) x 430(d)</p> <p>Weight: 19.3kg approx (empty)</p>	<p>Please contact us for a graphic template</p>	<p>Weight Tolerance: Shelves take about 3 kgs each evenly spread. 20 kgs can be supported on the floor of the case.</p>

Assembly instructions



Assembly instructions

