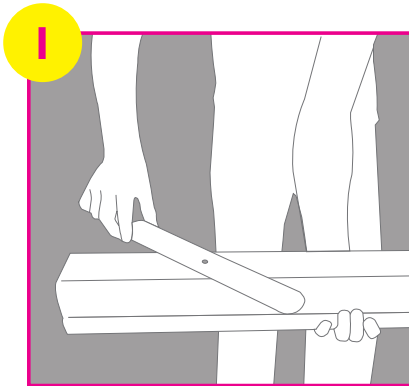
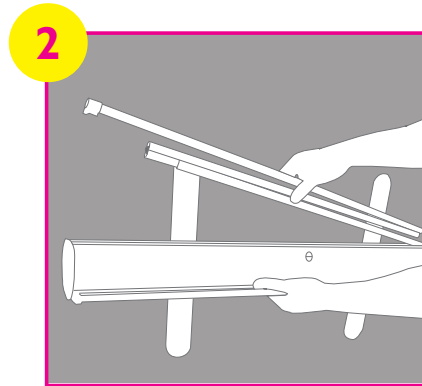


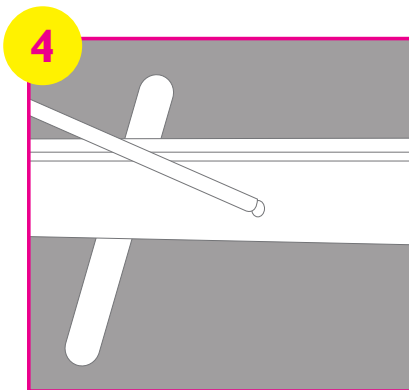
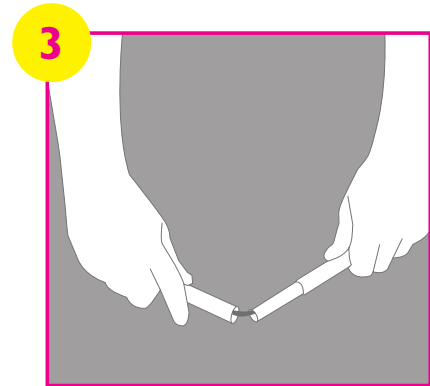
Installed in a matter of minutes – the Rollup cannot be beaten for speed, ease of use and portability.



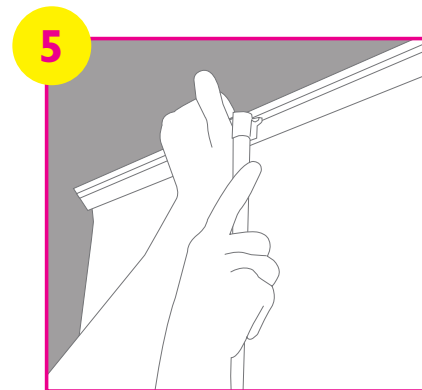
1 Remove the unit from its carry case and with the cassette unit upside down turn the two feet to 90°



2/3 Remove the vertical pole from the slot on the side of the cassette unit and slide the three sections together. (The 1200mm wide Rollup has a second pole in the case)



4 Insert the pole, in the hole on top of the cassette unit, and firmly press it fully into place



5 With one foot holding the rollup down, pull up the graphic (being careful not to let go as the spring is very strong), raise the graphic and insert the plastic hook into the groove of the top rail

(Low-Voltage Lights are available for both systems)

1 x light on 850mm wide & 2 x lights on the 1200mm wide. Replacement poles with the special light fitting will be required)