

Azure Pop Up ▶

Our award winning Azure Pop Up has a choice of various widths and two convenient heights. Azure can be used as double-sided display with graphic panels on both sides. Alternatively as a convex or concave system – the choice is yours.

- Self locking framework
- Self-aligning magnetic panels
- Graphic panels butt cleanly together for a perfect display
- Transport drum has a detachable section for use as a step for panel installation

Visible Graphic Area	
H - Standard	2400mm
H - Mini	2000mm



Azure Halogen Light ▼

- 50 Watt LV spotlight
- Universal fitting for pop ups and banner stands



Azure Drum Kit ▶

- Complete with wooden top
- Digital printed graphic wrap
- Converts Azure transport case into a lectern
- Drum Kit packs neatly into the Azure transport case







Visible Graphic Area	
W -	600mm
H -	980mm







Illuminated pop-up end caps





Azure Curved Standard

-  1x3: W - 1150mm D - 200mm
-  2x3: W - 1900mm D - 380mm
-  3x3: W - 2600mm D - 500mm
-  4x3: W - 3200mm D - 620mm

Azure Curved Mini

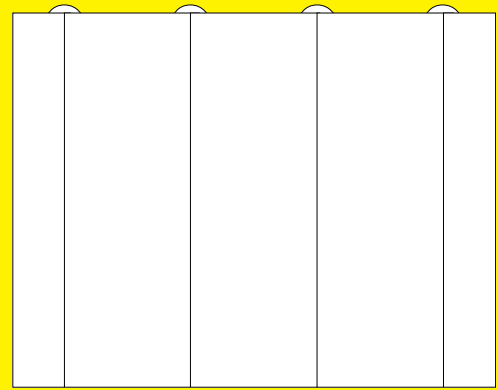
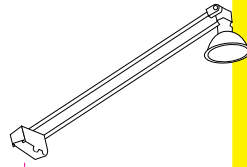
-  1x3: W - 950mm D - 190mm
-  2x3: W - 1600mm D - 280mm
-  3x3: W - 2100mm D - 440mm
-  4x3: W - 2600mm D - 550mm

Azure Flat Standard

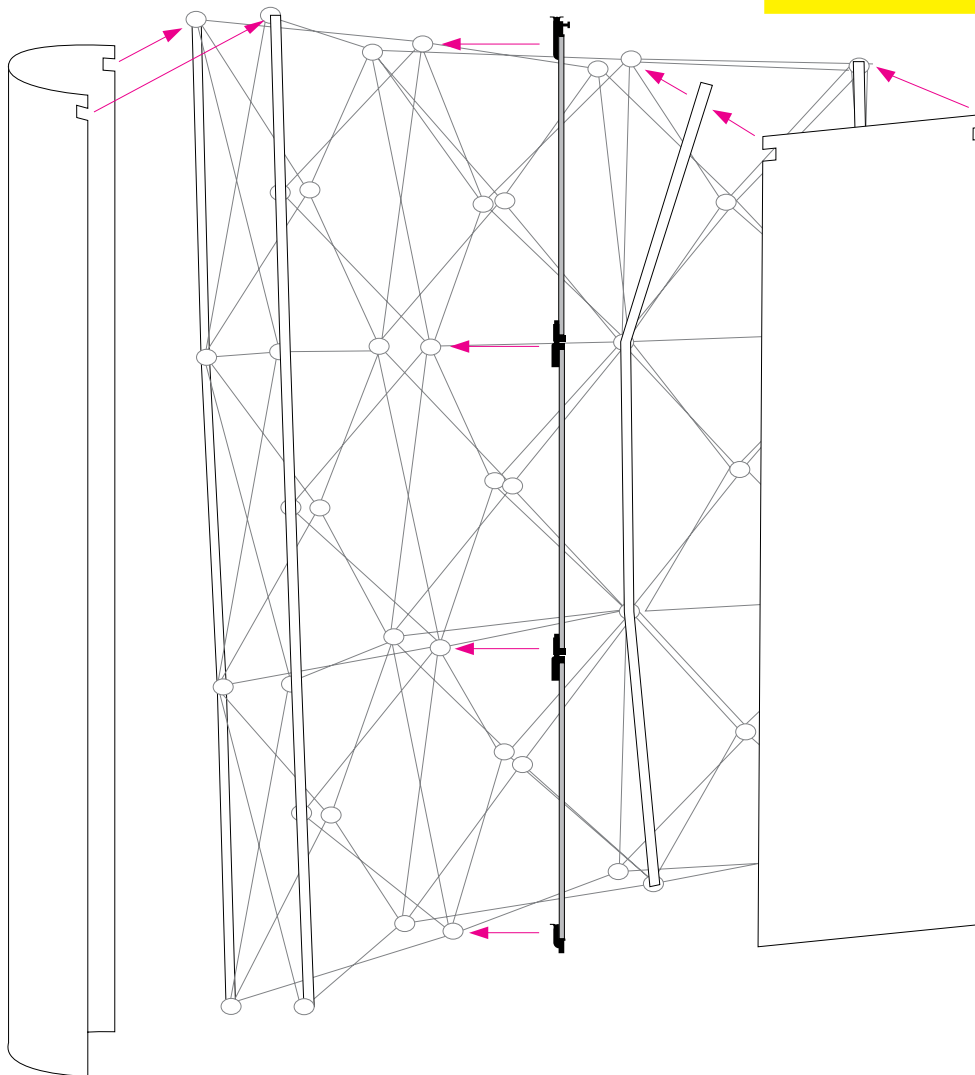
-  1x3: W - 1400mm D - 350mm
-  2x3: W - 2200mm D - 350mm
-  3x3: W - 3000mm D - 350mm
-  4x3: W - 3700mm D - 350mm

The Azure is composed of a **self-locking foldable frame**, **folding magnetic bars** and flexible magnetized panels that attach to the frame to make a wall of images.

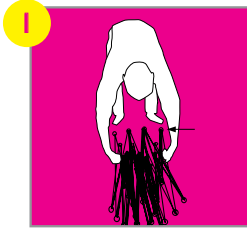
The Azure can be fitted with **spotlights** located on top of the magnetic bars. There are two versions of the Azure: **standard and mini**.



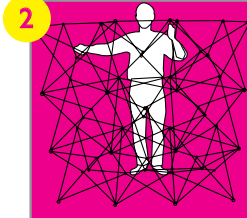
Example of an Azure 3x3 pop up display with 3 front panels and 2 endcaps



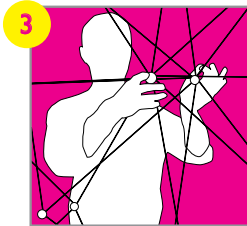
Assembly of the frame...



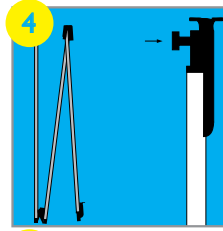
1 Lay the azure on the floor. On a curved frame the narrower end should face you.



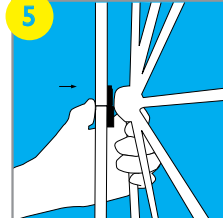
2/3 Expand the frame until it forms a wall. The frame will autolock into position.



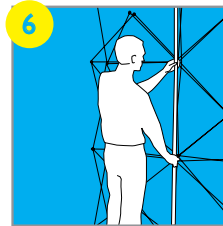
Installation of the magnetic bars...



4 The tops of the magnetic bars have two black pins where the notches of the graphic will fit.

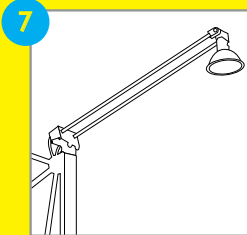


5 Slide the top bar into the hub first. Fit the magnetic bars on the azure by clipping the hinges of the bars into the clear plastic hubs.

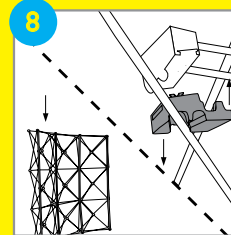


6 Repeat this procedure with each of the magnetic bars including the ones used for the endcaps if so equipped.

Installation of the lights...

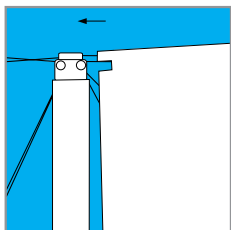


7 If you are equipped with spotlights, slide them onto the extrusion located on the top of the magnetic bars.

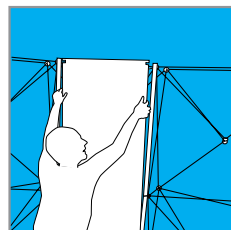


8 You can also position the spotlights on the cross pieces (where two tubes cross) located on top of the frame, using a special connector.

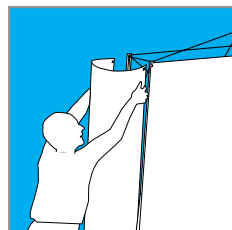
Installation of the graphics...



9 The top part of the graphic is where the notches are located. Slide the notches onto the pins on the left then on the right of the magnetic bars.



10 For the front panels, unroll the graphics and fit the magnetized sides on the magnetized bars, guiding them gently from top to bottom.



11 For the endcaps, bend the graphics and attach them to the pins located at the top of the magnetic bars. Run hands either side of the panel to attach to the magnetic bars.

Drum kit...



Unfold the countertop and place it on top of the container:

Attach the graphic to the countertop using the velcro tape. Attach the black kick strip around the base