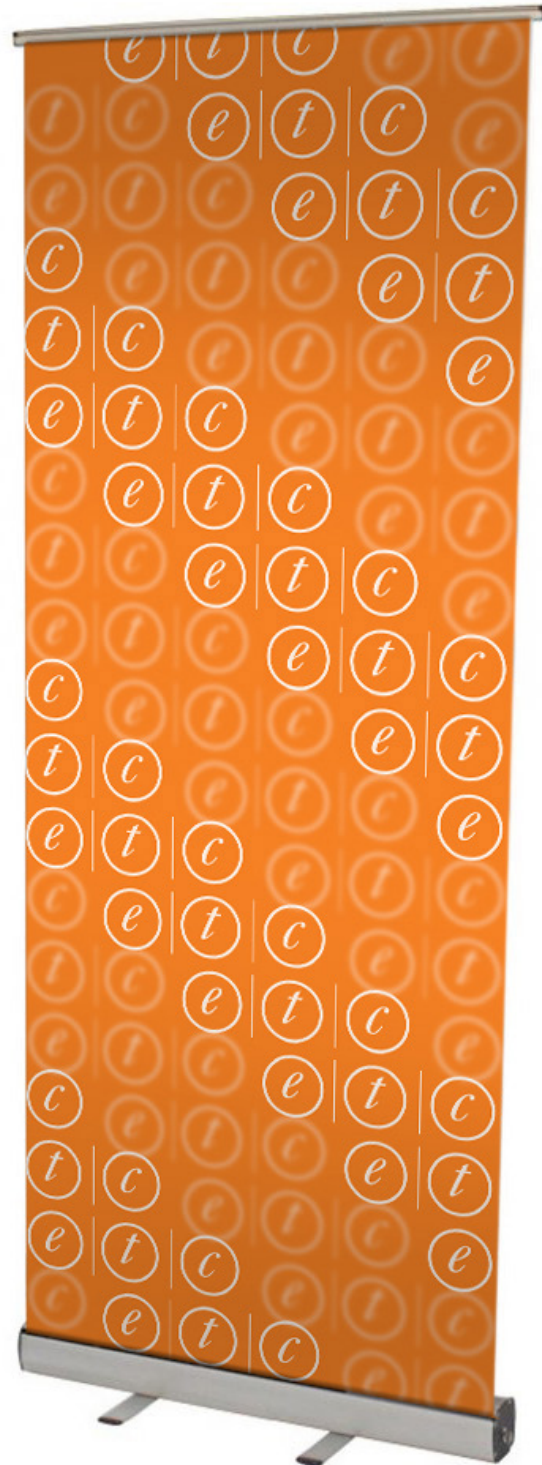


The Chi Roll Up Banner Display is ideal entry level graphic display stand. Lightweight & robust with two feet for stability.

Features & Benefits

- Systems complete with printed graphic
- Padded protective carry bag
- Optional aluminium case
- Supplied as single or double-sided system
- 7 standard sizes available



Hardware Specifications	Graphic Specifications	Additional Information
<p>Graphic Dimensions: 600mm(w) x 2000mm(h) 800mm(w) x 2000mm(h) 850mm(w) x 2000mm(h) 1000mm(w) x 2000mm(h) 1200mm(w) x 2000mm(h) 1500mm(w) x 2000mm(h) 2000mm(w) x 2000mm(h)</p>	<p>Please contact us for a graphic template</p>	<p>N/A</p>

The Chi Roll Up Banner Display is ideal entry level graphic display stand. Lightweight & robust with two feet for stability.

Features & Benefits

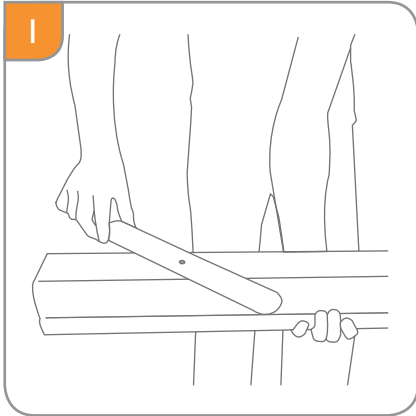
- Systems complete with printed graphic
- Padded protective carry bag
- I sizes only
- Made from recyclable PVC



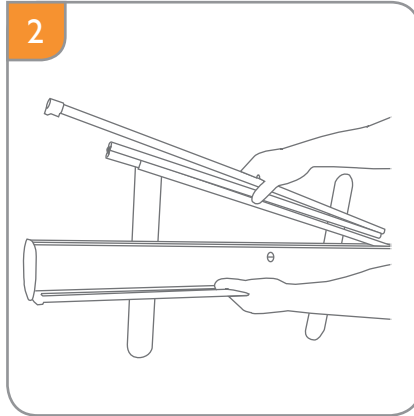
Hardware Specifications	Graphic Specifications	Additional Information
<p>Graphic Dimensions: 850mm(w) x 2000mm(h)</p>	<p>Please contact us for a graphic template</p>	<p>N/A</p>

CHI0327

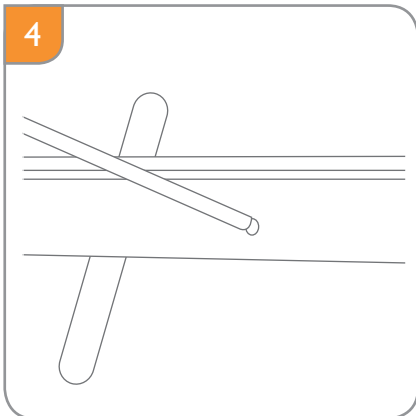
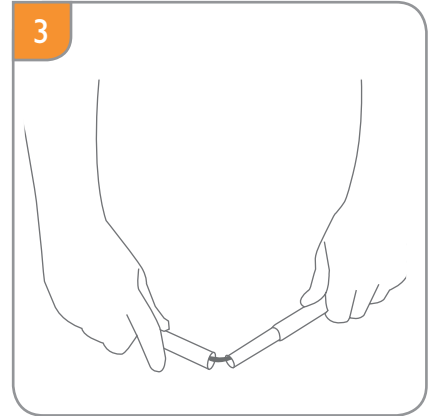
Assembly instructions



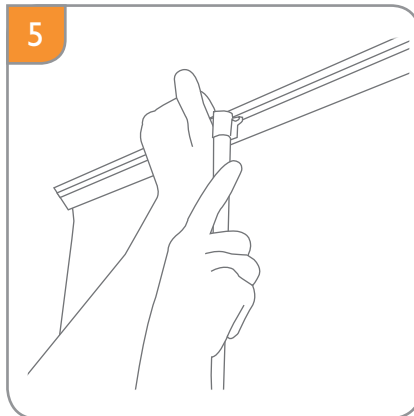
Remove the unit from its carry case and with the cassette unit upside down turn the two feet to 90°



Remove the vertical pole from the slot on the side of the cassette unit and slide the three sections together. (The 1200mm wide Rollup has a second pole in the case)



Insert the pole, in the hole on top of the cassette unit, and firmly press it fully into place



With one foot holding the rollup down, pull up the graphic (being careful not to let go as the spring is very strong), raise the graphic and insert the plastic hook into the groove of the top rail